

NOTES:

1. MATERIAL:

- 1.1 HOUSING: PA9T, HIGH TEMP.,UL94V-0;
- 1.2 CONTACT: HIGH CONDUCTIVITY COPPER ALLOY , T=0.15mm
- 1.3 SHELL: STAINLESS STEEL , T=0.30mm

2. FINISH:

- 2.1 CONTACT:  
GOLD FLASH ON CONTACT , MATTE Sn 60~150u" ON SOLDERING AREA,  
50~100u" NICKEL UNDERPLATING OVERALL.

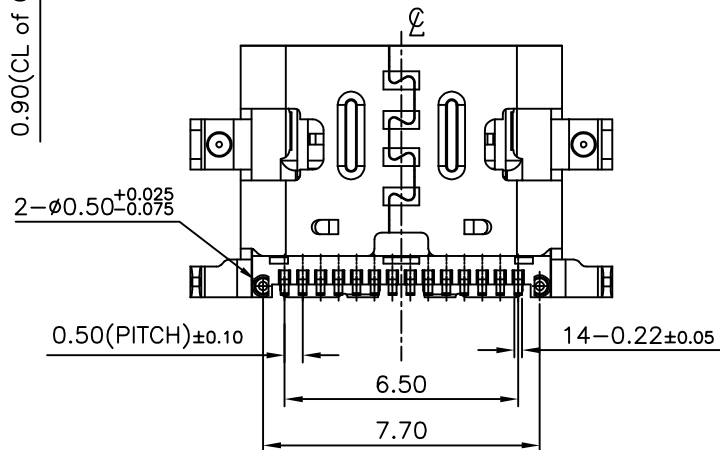
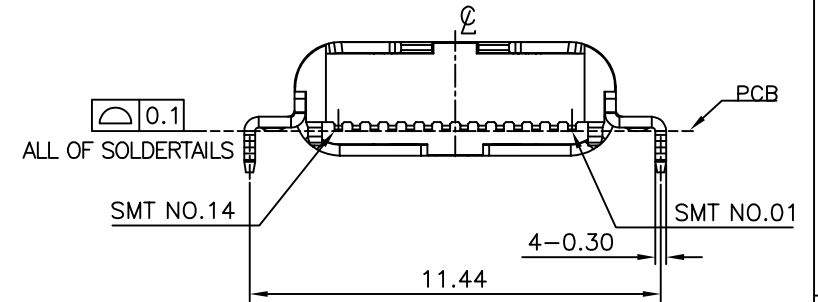
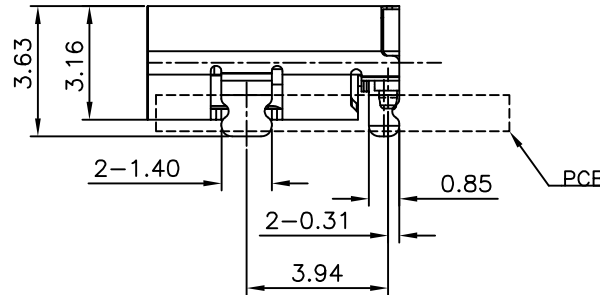
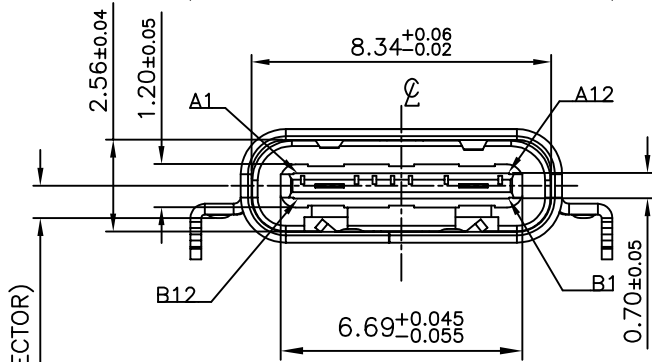
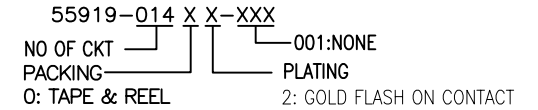
2.2 SHELL :

- 50u" MIN NICKEL UNDERPLATING OVERALL.

3. SPEC. PLS. REFER TO PS-55911-xxxxx-xxx

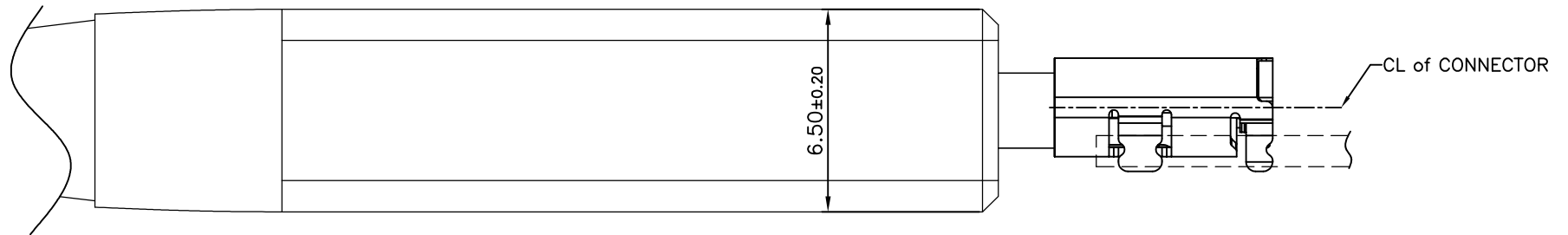
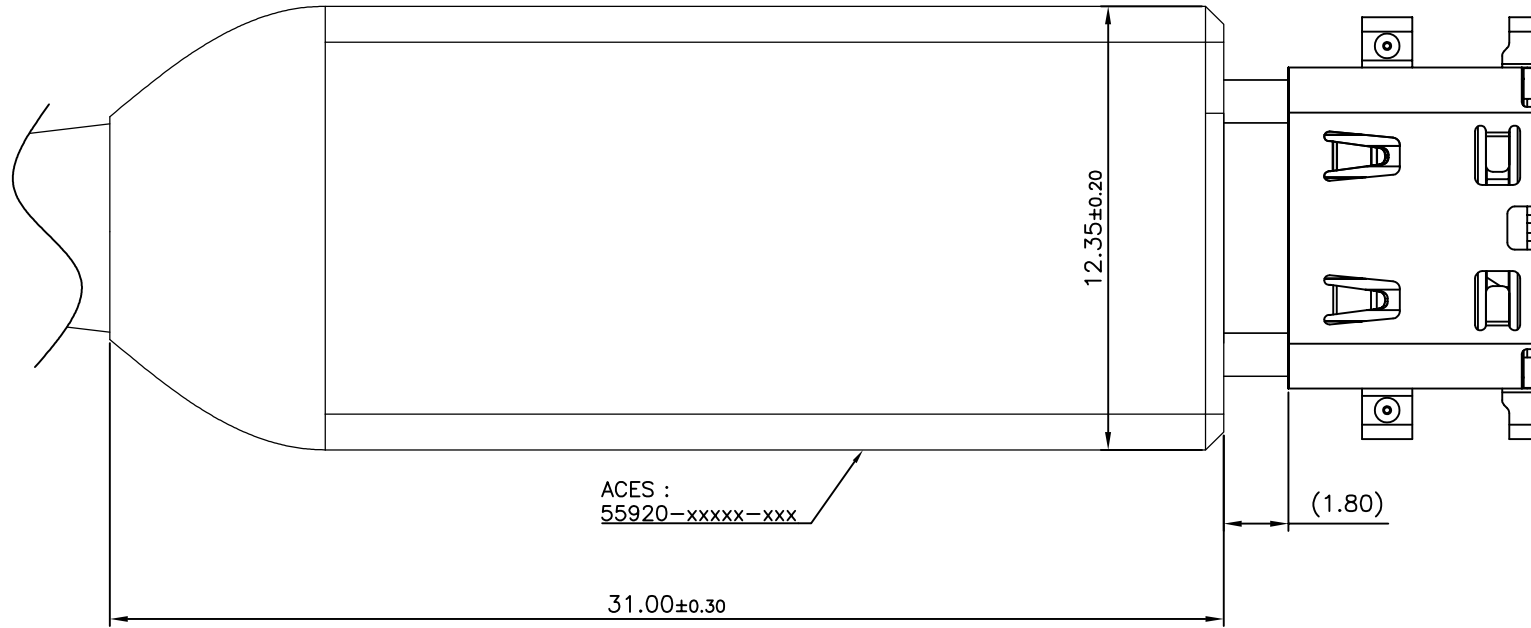
4. PACKAGE PLS REFER TO 55919-xxxxx-xx-TRP

5. PART NUMBER



A12	GND	B1	GND
A11		B2	
A10		B3	
A9	VBUS	B4	VBUS
A8		B5	CC2
A7	Dn1	B6	Dp2
A6	Dp1	B7	Dn2
A5	CC1	B8	
A4	VBUS	B9	VBUS
A3		B10	
A2		B11	
A1	GND	B12	GND
PIN	SIGNAL NAME	PIN	SIGNAL NAME

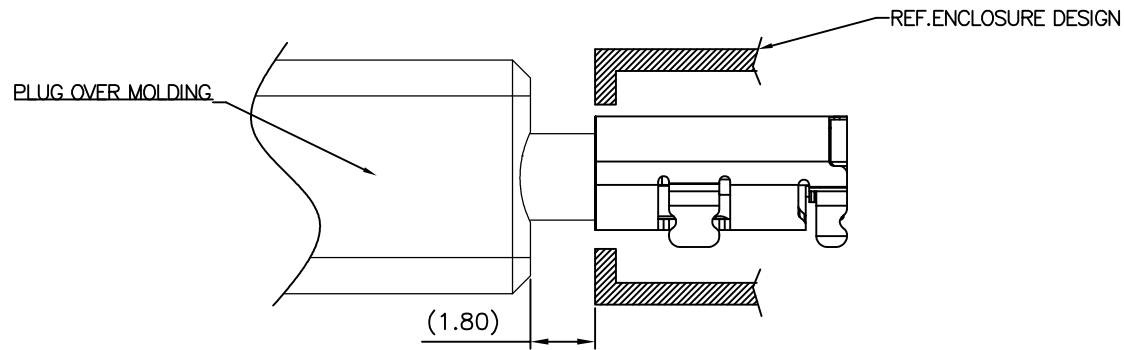
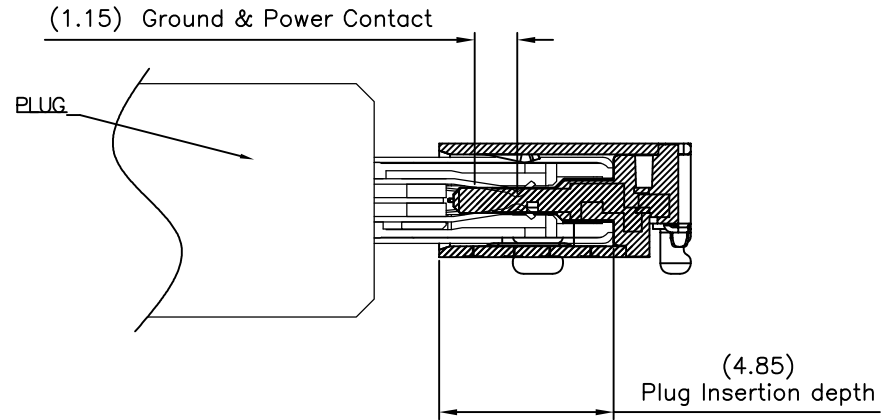
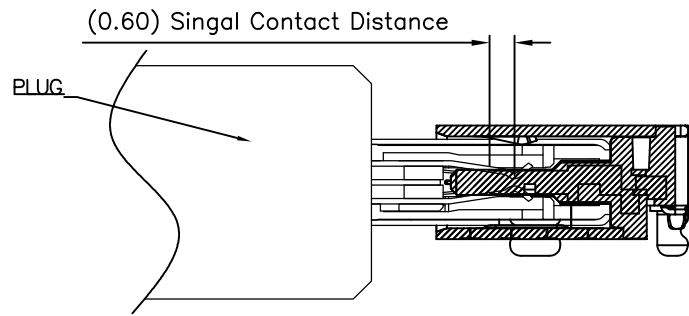
SMT NO.	1	2	3	4	5	6	7	8	9	10	11	12	13	14
PIN	B12	A1	B9	A4	A5	A6	A7	B7	B6	B5	A9	B4	A12	B1
SIGNAL	GND	GND	VBUS	VBUS	CC1	Dp1	Dn1	Dn2	Dp2	CC2	VBUS	VBUS	GND	GND
<p>一般公差</p> <p>TOLERANCES</p> <p>X ±0.50    XX ±0.15</p> <p>X ±0.25    XXX ±0.10</p> <p>ANGLES    ±1°</p>					<p>宏致電子股份有限公司</p> <p>Aces Electronics Co.,Ltd.</p>					<p>製圖 (DR)</p> <p>16'/06/20    JASON</p> <p>審核 (CHKD)</p> <p>RYAN</p>				
<p>檢驗尺寸標示</p> <p>SYMBOLS (C) (M) INDICATE CLASSIFICATION DIMENSION</p> <p>(C) MARK IS CRITICAL DIM.</p> <p>(M) MARK IS MAJOR DIM.</p>					<p>品名 (TITLE)</p> <p>USB 2.0 TYPE C Mid-Mount REC ASSY (SMT R/A)</p> <p>圖號 (DWG.NO)</p> <p>55919-014XX-XXX</p>					<p>核准 (APPD)</p> <p>K.HISATOMI</p>				
<p>表面處理 (FINISH)</p>					<p>比例 (SCALE)</p> <p>5:1</p>					<p>單位 (UNITS)</p> <p>mm</p>				
					<p>張數 (SHEET)</p> <p>1 OF 4</p>					<p>SIZE</p> <p>A4</p>				
					<p>REV</p> <p>A</p>									



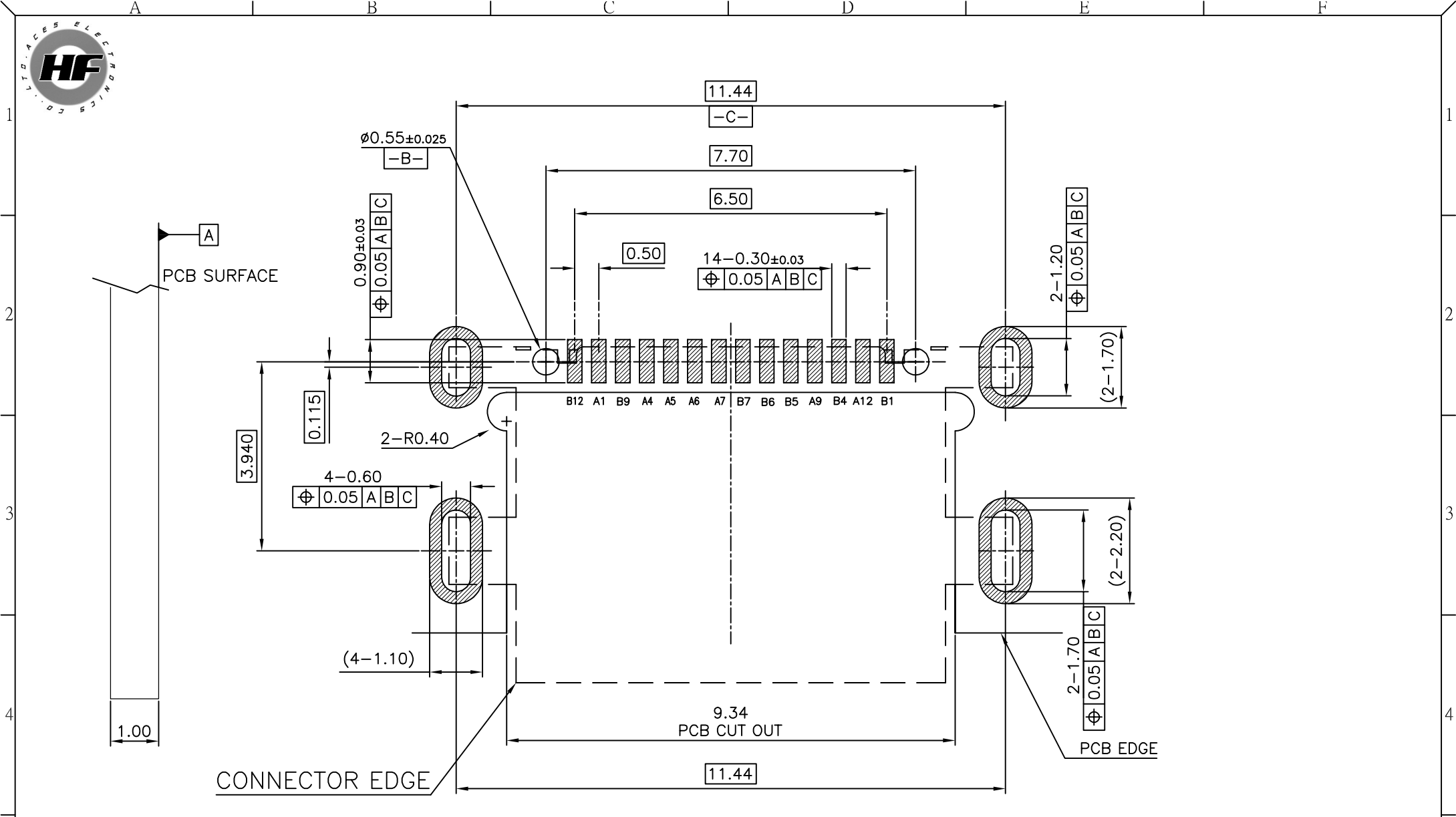
一般公差 <b>TOLERANCES</b> X ±0.50 XX ±0.15 X ±0.25 XXX ±0.10 ANGLES ±1°		<b>宏致電子股份有限公司</b> <b>Aces Electronics Co.,Ltd.</b>	
檢驗尺寸標示 <b>SYMBOLS</b> (C) (M) INDICATE CLASSIFICATION DIMENSION <b>(C) MARK IS CRITICAL DIM.</b> <b>(M) MARK IS MAJOR DIM.</b>	品名 (TITLE) USB 2.0 TYPE C Mid-Mount REC ASSY (SMT R/A) 圖號 (DWG.NO) 55919-014XX-XXX	製圖 (DR) 16'/06/20 JASON 審核 (CHKD) RYAN 核准 (APPD) K.HISATOMI	張數 (SHEET) 2 OF 4 尺寸 (SIZE) A4 版次 (REV) A
表面處理 (FINISH)	比例 (SCALE) 5:1	單位 (UNITS) mm	



# RECPT & PLUG MATING DRAWING



一般公差 <b>TOLERANCES</b> X ±0.50 XX ±0.15 Y ±0.25 XXX ±0.10 ANGLES ±1°		宏致電子股份有限公司 <b>Aces Electronics Co.,Ltd.</b>	
檢驗尺寸標示 <b>SYMBOLS</b> (C) (M) INDICATE CLASSIFICATION DIMENSION (C) MARK IS CRITICAL DIM. (M) MARK IS MAJOR DIM.		品名 (TITLE) USB 2.0 TYPE C Mid-Mount REC ASSY (SMT R/A) 圖號 (DWG.NO) 55919-014XX-XXX	
表面處理 (FINISH)		比例 (SCALE) 單位 (UNITS) 5:1 mm	
		製圖 (DR) 16'/06/20 JASON 審核 (CHKD) RYAN 核准 (APPD) K.HISATOMI 張數 (SHEET) 3 OF 4 尺寸 (SIZE) A4 版次 (REV) A	



RECOMMENDED PCBLAYOUT  
 TOP VIEW  
 SCALE 10:1  
 (TOLERANCE=±0.05mm)

一般公差 <b>TOLERANCES</b> X ±0.50 XX ±0.15 Y ±0.25 XXX ±0.10 ANGLES ±1°		宏致電子股份有限公司 Aces Electronics Co.,Ltd.	
檢驗尺寸標示 <b>SYMBOLS</b> (C) (M) INDICATE CLASSIFICATION DIMENSION (C) MARK IS CRITICAL DIM. (M) MARK IS MAJOR DIM.		品名 (TITLE) USB 2.0 TYPE C Mid-Mount REC ASSY (SMT R/A)	製圖 (DR) 16'/06/20 JASON 審核 (CHKD) RYAN
表面處理 (FINISH)		圖號 (DWG.NO) 55919-014XX-XXX	核准 (APPD) K.HISATOMI
		比例 (SCALE) 單位 (UNITS) 5:1 mm	張數 (SHEET) 4 OF 4 尺寸 (SIZE) A4 版 (REV) A